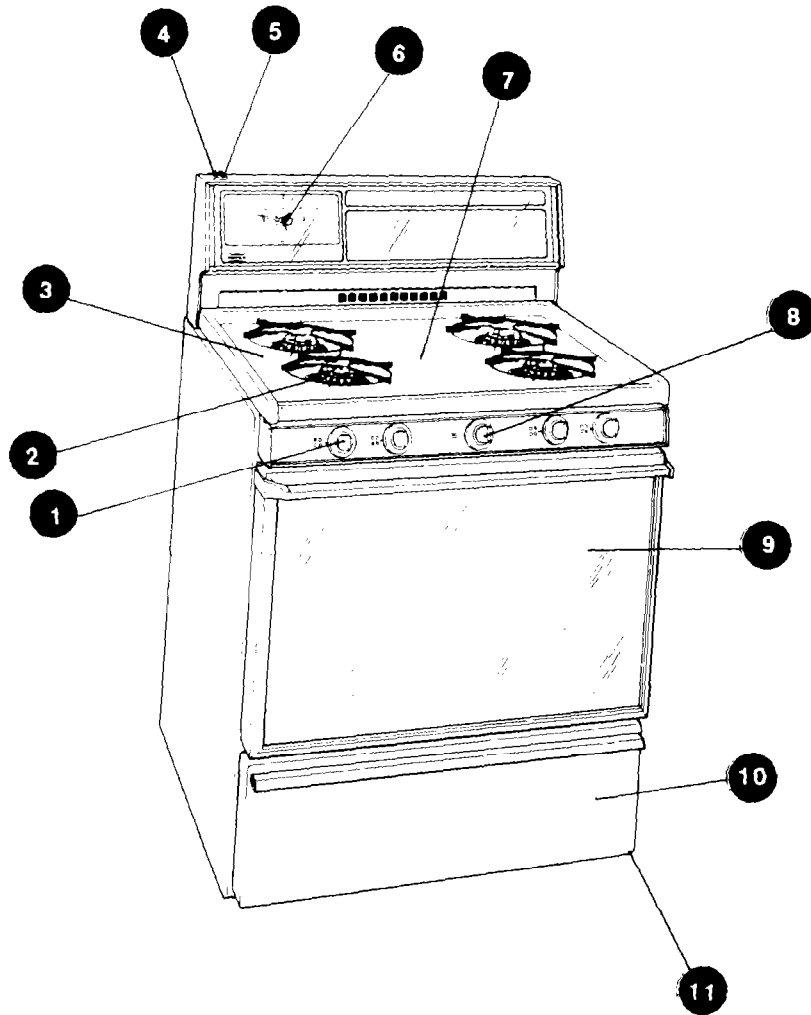


ROPER

GAS RANGE MODELS 1305, 1315 OPERATING GUIDE

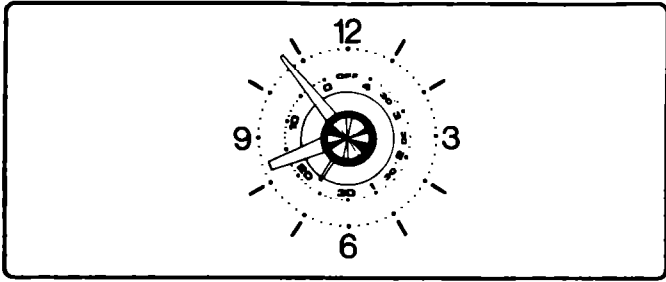


FEATURES

1. Cooktop Burner Controls
2. Cooktop Burners
3. Pressure Regulator (Adjustable for L.P. Gas)
4. Cooktop Light Switch
5. Oven Light Switch
6. Clock and 4 Hour Timer
7. Lift-Up/Off Cooktop with Chrome Drip Bowl Liners
8. Oven Thermostat
9. Removable Black Glass Oven Door with Window
10. Separate Broiler
11. Leg Levelers



Part No. 327433



CLOCK

1. Push in and turn Clock/Timer knob to set time.
2. Turn Clock/Timer knob, without pushing in, to reset timer hand to OFF.

TIMER

1. Set Clock/Timer knob, without pushing in, to set timer to desired time.
2. When time is up, a buzzer will sound.
3. Turn knob to OFF.

NOTE: The timer is only a reminder and will not operate the range.

COOKTOP BURNERS

Model 1305:

Your cooktop burners have **gas pilot ignition**. See your Use and Care Guide for details.

Model 1315:

Your cooktop burners have **spark ignition**. See your Use and Care Guide for details.

OVEN BURNER

Model 1305:

To use the oven or broiler, set the Thermostat for the desired temperature or to Broil. Your oven burner has **gas pilot ignition**. See your Use and Care Guide for details.

Model 1315:

To use the oven or broiler, set the Thermostat for the desired temperature or to Broil. Your oven burner has **spark ignition**. See your Use and Care Guide for details.

REPLACING COOKTOP LIGHT

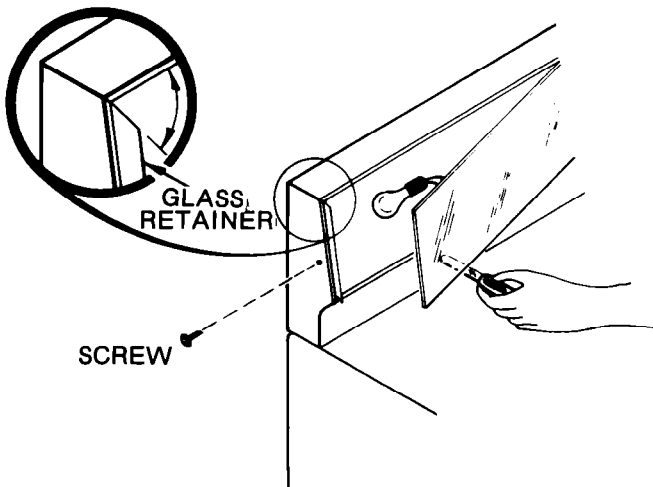
Do not touch the bulb when it is hot or with wet hands. Never wipe light area with a wet cloth. Interrupt electrical supply to range before removing.

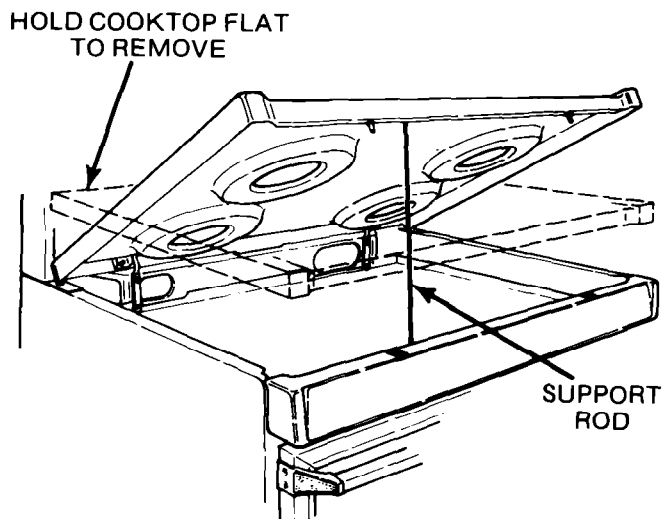
To remove:

1. Remove the control knobs.
2. Remove both backguard screws, one on each side.
3. Insert a dull bladed knife under the bottom edge of the glass and pry outward. The glass retainer will rotate outward and release the glass.
4. Remove the bulb and replace with one of the same wattage.

To replace:

1. With the retainer rotated out, push glass back into place.
2. Replace the screws and knobs.





LIFT-UP/OFF COOKTOP

The cooktop can be raised or removed so the area underneath can be cleaned.

To raise cooktop:

1. Remove burner grates and chrome drip bowl liners.
2. Grasp the cooktop and lift up. Raise the support rod to hold the cooktop up while you clean.

To remove cooktop:

1. Remove burner grates and chrome drip bowl liners.
2. Grasp the cooktop and lift the front a little.
3. Grasping the cooktop at the sides, hold it nearly flat while you lift it up and off.

To avoid chipping or damaging the porcelain, be careful not to drop the cooktop.

See the cleaning chart in your Use and Care Guide. When done cleaning, carefully lower the cooktop into place.

REMOVABLE OVEN DOOR

To remove:

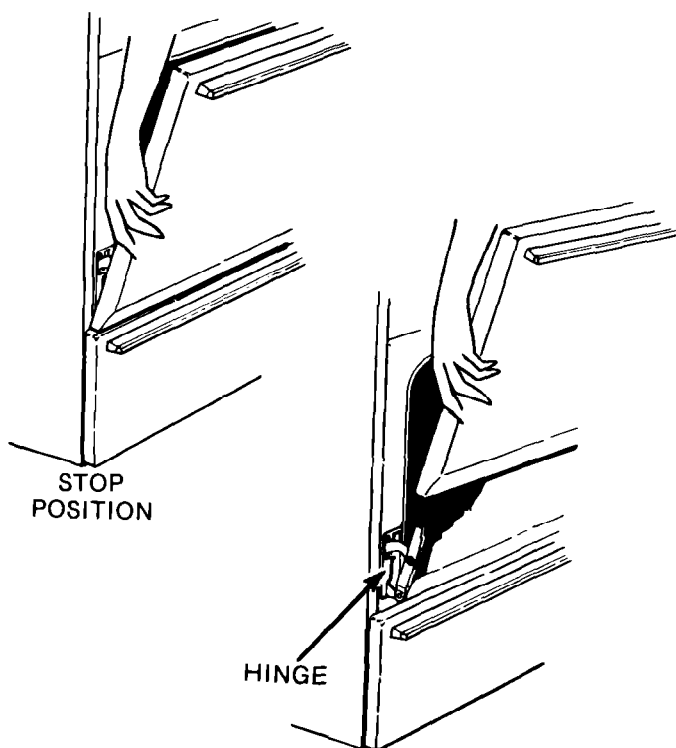
1. Open the door to the stop position (see illustration).
2. Grasp the door at each side and lift up and off the hinges.

See the cleaning chart in your Use and Care Guide.

NOTE: When the door is removed and hinge arms are at stop position, do not bump or try to move the hinge arms. The hinges could snap back causing an injury to the hands or damage to the porcelain on the front of the range. You may wish to cover the hinges with toweling or empty towel rolls while working in the oven area.

To replace:

1. Hold the door over the hinges with the slots at the bottom edge of the door lined up with the hinges. The hinge arms must still be in the stop position.
2. Slide the door down onto the hinges as far as it will go and close the door.



REMOVABLE OVEN BOTTOM

The oven bottom in your range can be removed for easier cleaning.

Be careful not to scratch the oven finish when removing or replacing the oven bottom.

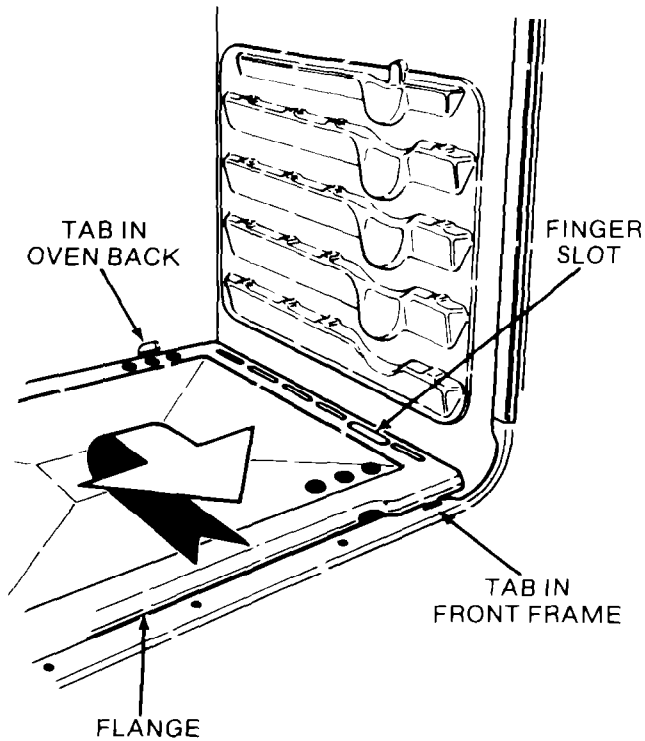
To remove:

1. Grasp at finger slots in each side of the oven bottom.
2. Lift the front edge of the oven bottom enough to raise the tabs from the slots in the front frame.
3. Push the oven bottom back about ¼" to release the flange from the front frame, then pull out.

See the cleaning chart in your Use and Care Guide.

To replace:

1. Slide the oven bottom into the oven so the back tabs fit into the slots in the oven back.
2. Grasp at finger slots and push the oven bottom back and then down to hook the flange under the front frame.
3. Fit the front tabs into the slots in the front frame.



OTHER FEATURES

Your new range also has the features listed below. See your Use and Care Guide for more information.

1. Chrome and Paint Outside Finish
2. Porcelain Cooktop with Chrome Drip Bowl Liners
3. Removable Cooktop Burners
4. Removable Oven Racks
5. Adjustable Thermostat Knob
6. Porcelain Oven Finish
7. Separate Broiler Compartment
8. Porcelain Broiler Pan and Grid.

OPTIONAL KITS

Optional Set-On Griddle Kit No. 100-6812 is available from your authorized Roper dealer.