

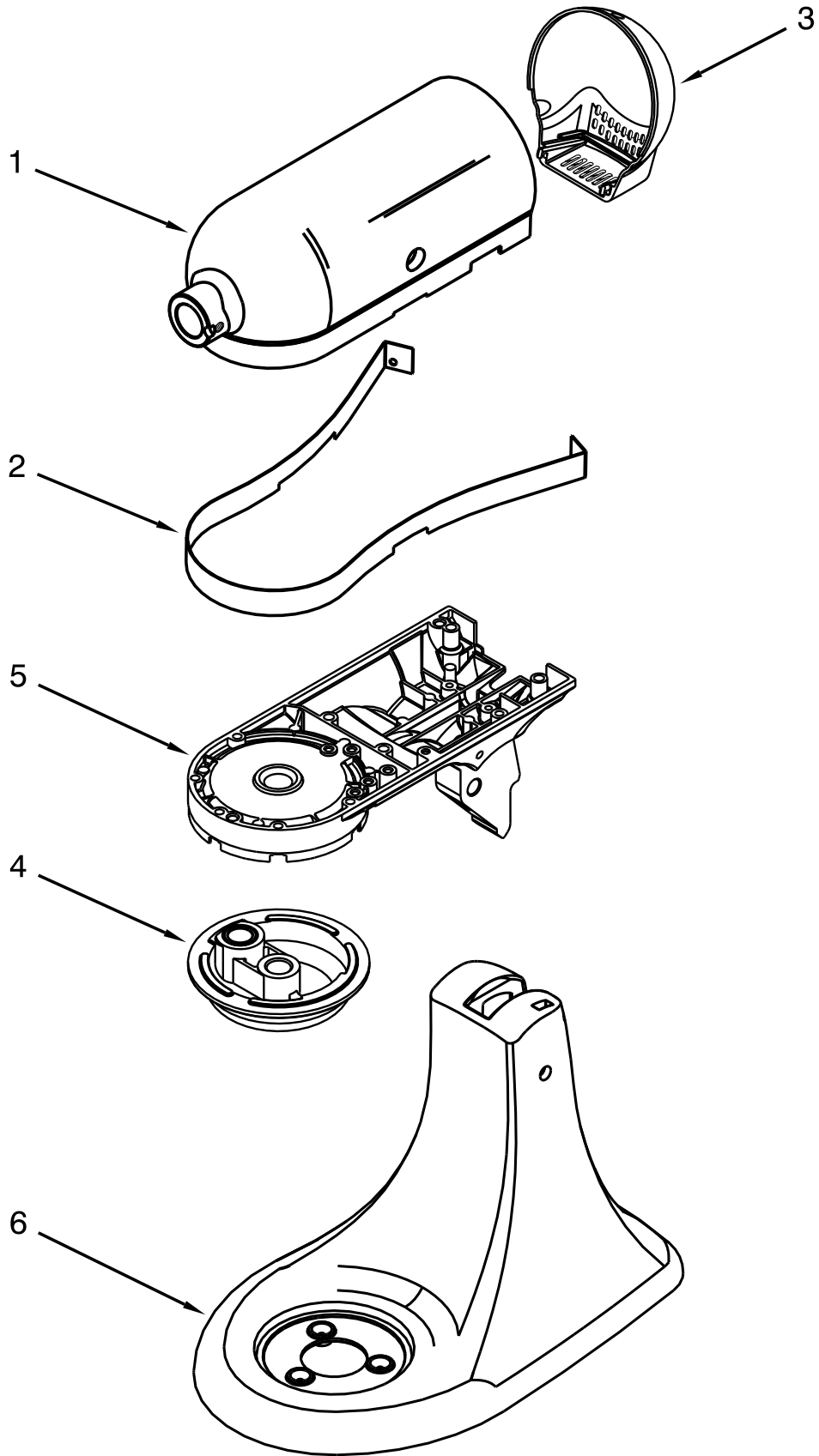
KitchenAid®

5 QT. STAND MIXER

MODELS:

5KSM156QPEPP4 (Pebbled Palm)

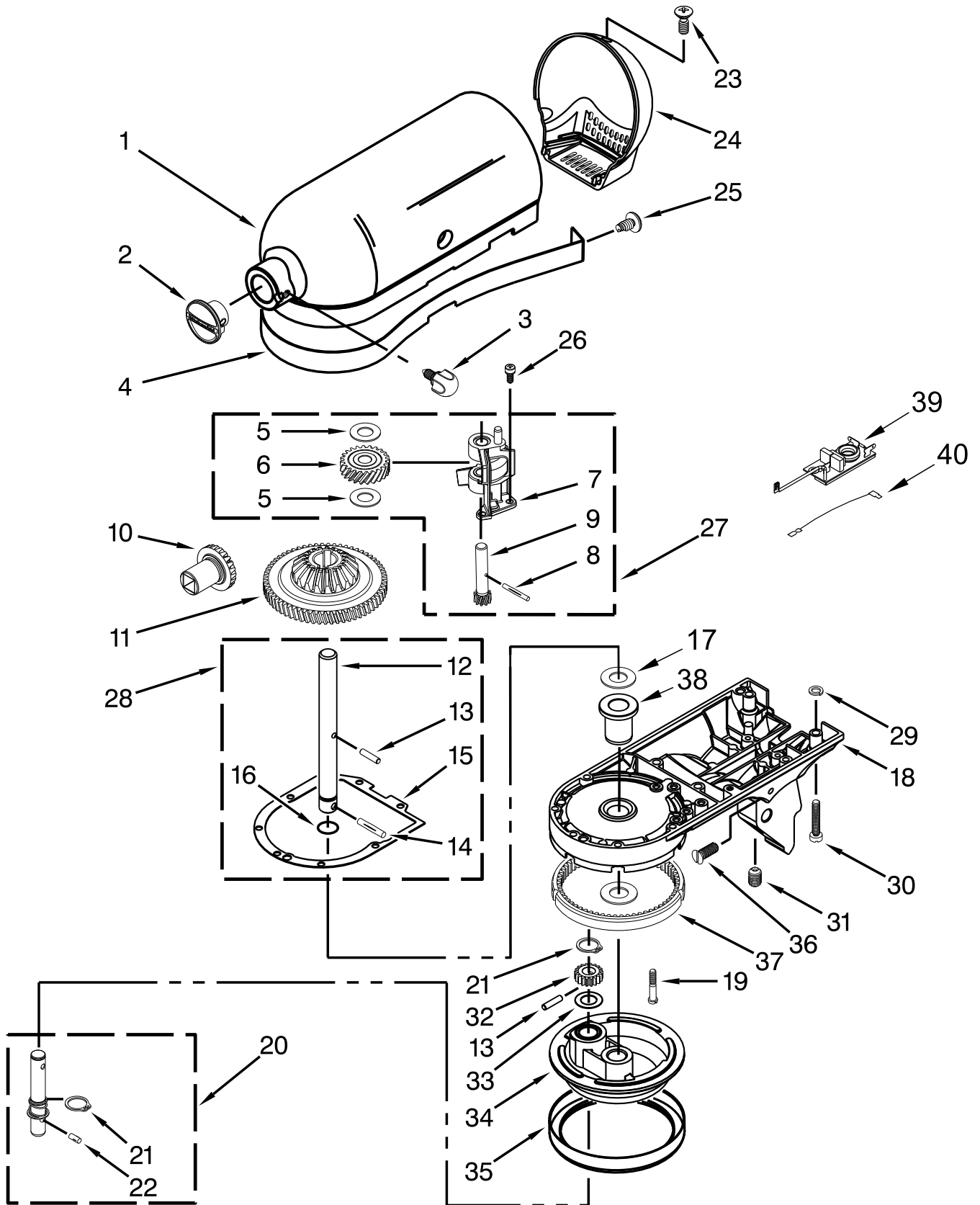
COLOR VARIATION PARTS



COLOR VARIATION PARTS

<u>Illus.</u> <u>No.</u>	<u>Part No.</u>	<u>Description</u>	<u>Illus.</u> <u>No.</u>	<u>Part No.</u>	<u>Description</u>	<u>Illus.</u> <u>No.</u>	<u>Part No.</u>	<u>Description</u>
1		Motor Housing	4		Planetary	6		Pedestal w/Feet & Headlock
	W11346223	Pebbled Palm		W11346226	Pebbled Palm			
2		Trim Band	5		Lower Gearcase		W11346220	Pebbled Palm
	W10863292	Platinum		W11346221	Pebbled Palm			
3		End Cover						
	W11346216	Pebbled Palm						

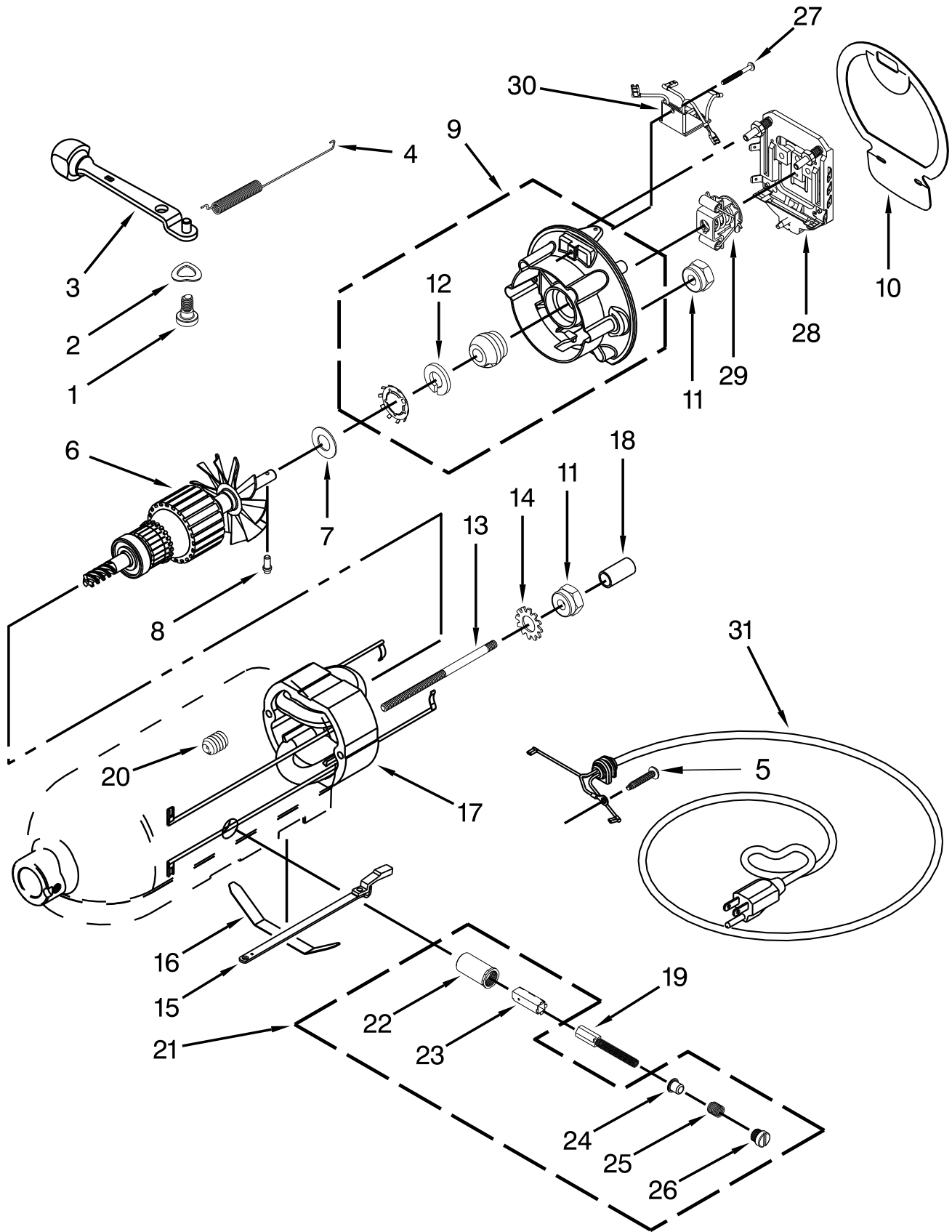
CASE, GEARING AND PLANETARY UNIT



CASE, GEARING AND PLANETARY UNIT

<u>Illus. No.</u>	<u>Part No.</u>	<u>Description</u>	<u>Illus. No.</u>	<u>Part No.</u>	<u>Description</u>	<u>Illus. No.</u>	<u>Part No.</u>	<u>Description</u>
1		Gearcase Motor Housing (Refer to Color Variation Parts Page)	14	9705443	Pin, Grooved	30	9708652	Screw
			15	4162324	Gasket, Transmission	31	W11134949	Screw
			16	67500-55	"O" Ring	32	W10903540	Gear, Pinion
			17	W10323378	Washer	33	9706090	Washer
2	W10753041	Cap, Attachment Hub	18		Lower Gear Case (Refer to Color Variation Parts Page)	34		Planetary (Refer to Color Variation Parts Page)
3	9709194	Thumb Screw Black				35	240285	Ring, Planetary Drip (Standard)
4		Band, Trim (Refer to Color Variation Parts Page)	19	9708651	Screw	36	89411	Screw
			20	243368	Shaft, Agitator	37	W10903534	Gear, Internal
5	W10323373	Washer, Fiber	21	9703438	Ring, Retaining	38	16897	Bearing, Lower Center
6	W10112253	Gear, Worm	22	9704677	Pin, Groove	39	9705132	Filter, RFI
7	240308	Bracket, Worm Gear and Bearing	23	241877	Screw	40	9702311	Lead, Filter
			24		Cover, End (Refer to Color Variation Parts Page)			
8	9705444	Pin, Grooved	25	3400617	Screw			
9	240210-2	Gear, Pinion and Shaft	26	3400022	Screw			
10	W11175140	Gear, Attachment Hub	27	240309-2	Worm Gear Bracket and Gear Assembly			
11	W11175138	Gear, Center Bevel Pinion	28	4160474	Shaft, Center Agitator Assembly			
12	240026	Shaft, Vertical Center	29	8533914	Washer, Lock			
13	240018-1	Pin, Agitator Shaft						

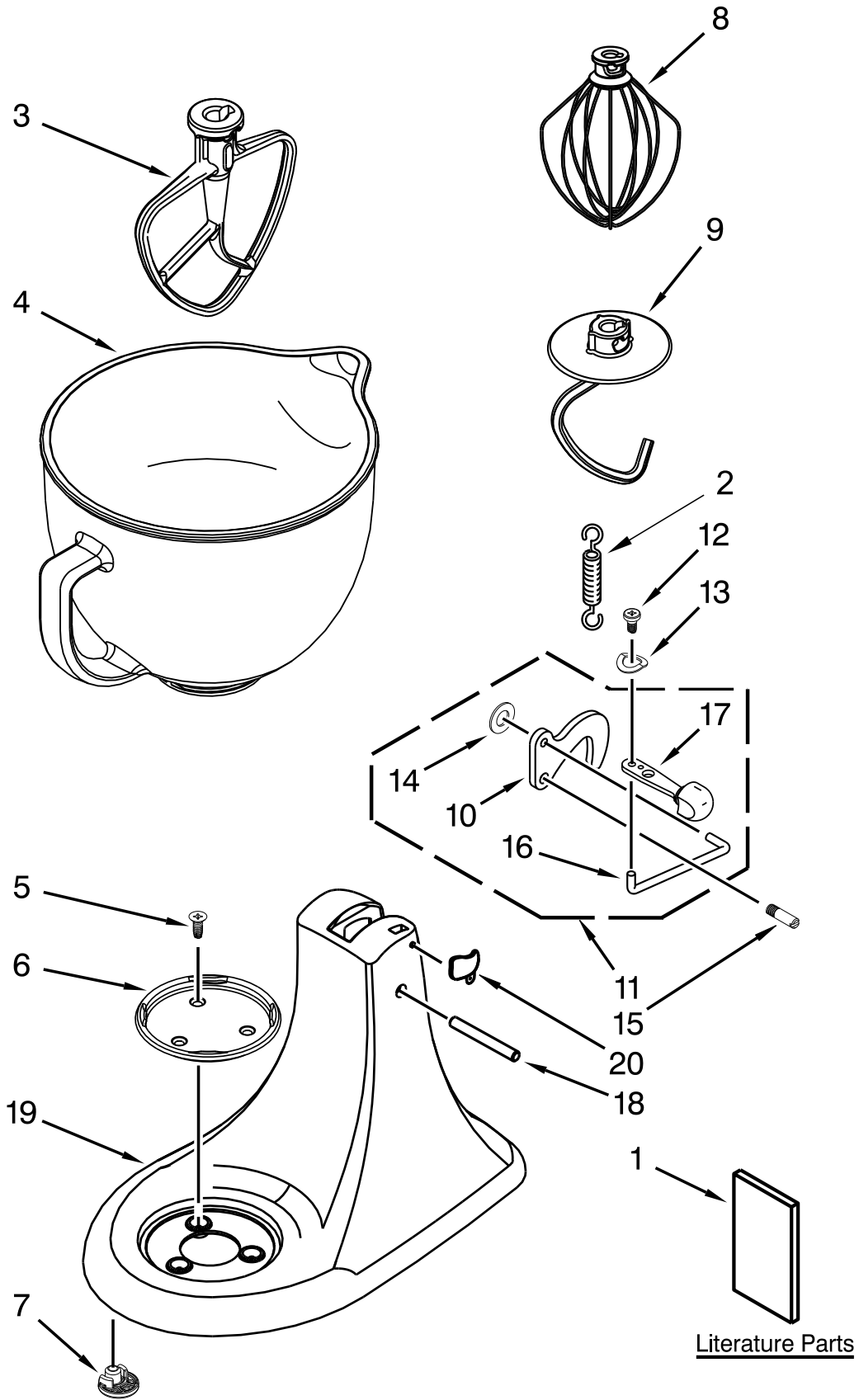
MOTOR AND CONTROL UNIT PARTS



MOTOR AND CONTROL UNIT PARTS

<u>Illus. No.</u>	<u>Part No.</u>	<u>Description</u>	<u>Illus. No.</u>	<u>Part No.</u>	<u>Description</u>	<u>Illus. No.</u>	<u>Part No.</u>	<u>Description</u>
1	110679	Screw	11	W10131078	Nut	23	240680	Insert, Brush Holder
2	116241	Washer, Spring	12	3180238	Washer, Felt	24	116286	Spring, Seat-Cap
3		Control, Speed Assembly	13	240769	Screw, Stator	25	116287	Spring, Cap
	9709276	Black	14	W10068270	Washer, Lock	26		Cap, Brush Holder
4	3183680	Spring, Control Plate	15	W10898250	Link, Speed		3184212	Black
5	3184086	Screw, Ground	16	240205	Spring, Flat	27	W10068260	Screw
6	W10788173	Armature & Bearing Assembly, 240 Volt	17	W10417246	Field Assembly, 240 Volt	28	W10119326	Control Plate Assembly
7	W10323376	Washer, Spacing	18	241356	Sleeve, Motor Stud	29	W10330804	Governor Assembly
8	16998	Stud, Governor Drive	19	W10380496	Brush, Cap and Spring	30	W10911442	Phase Control, 230 Volt
9	3180526	Bearing and Bracket Assembly	20	9707926	Screw, Set	31		Power Cord
10	3184356	Seal, End	21	4162546	Brush Holder Assembly		W10705130	Black (Europe)
			22	3179908	Housing, Brush Holder			

BASE AND PEDESTAL UNIT



BASE AND PEDESTAL UNIT

<u>Illus.</u> <u>No.</u>	<u>Part No.</u>	<u>Description</u>	<u>Illus.</u> <u>No.</u>	<u>Part No.</u>	<u>Description</u>	<u>Illus.</u> <u>No.</u>	<u>Part No.</u>	<u>Description</u>
1		Literature Parts	9	W10674618	Hook, Dough (Coated)	19		Pedestal
	W11165010	Use & Care Guide (United Kingdom / Europe)	10	9709055	Latch			(Refer to Color Variation Parts Page)
			11	3184200	Latch, Link Assembly (Black)	20		Head Lock
2	W10509949	Spring, Lock Lever	12	110679	Screw		3184264	Black
3	W10672617	Beater, Flat (Coated)	13	116241	Washer, Spring			
4	W11250937	5QT Bowl - Quilted	14	8533912	Washer			
5	3400020	Screw	15	103993	Screw, Latch Bearing			
6	W10191926	Cap, Bowl Screw	16	24450	Link, Latch			
7	9709707	Foot	17	9709267	Lever, Latch (Black)			
8	9704329	Whip, Wire	18	16910	Pin, Hinge			